

INSTALLATION MANUAL

22803

Level of Difficulty

Easy

Installation difficulty levels are based on time and effort involved and may vary depending on the installer level of expertise, condition of the vehicle and proper tools and equipment.

Parts List

Item	Qty	Description
1	1	Mounting bracket
2	1	Wheel chock
3	4	Self-tapping screw, 3/8"-16 x 1"
4	2	Carriage bolt, 3/8"-16 x 1"
5	2	Carriage bolt, 3/8"-16 x 5"
6	2	Flat washer, 3/8"
7	4	Nylock nut, 3/8"-16
8	2	Clamp bracket

Tools Required

Socket set	Drill
Ratchet	Drill bit, 11/32"
Torque wrench	Paint marker
Box-end wrench set	--

⚠ WARNING

Effective wheel chock use is application-specific based on placement, wheel size, grade, ground / surface conditions and vehicle weight. The end user is responsible for validating the chock is acceptable for their specific application. Improper use may result in property damage, serious injury or death.

Do not use wheel chocks if there are any visual signs of damage. Damaged wheel chocks may not work effectively, resulting in property damage, serious injury or death.

Wheel chocks should always be used in pairs.

Multiple pairs may be required in extreme situations.

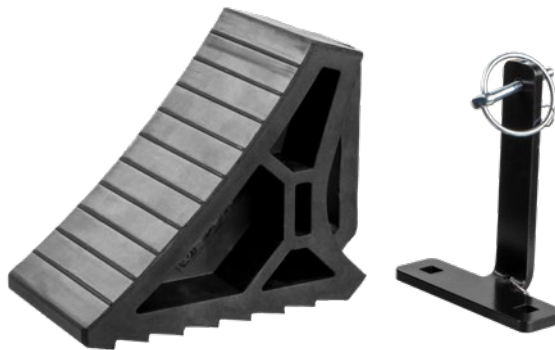
Chocks should always be applied on the downhill side of the tires.

When a vehicle is on a level grade, chocks should be used in the front and rear of the tires.

Chocks must always be installed flush and centered on the tires to function effectively.

Always ensure the parking brake is applied and functioning prior to installing wheel chocks.

Product Photo



NOTICE

Visit www.curtmfg.com for a full-color copy of this instruction manual, as well as helpful videos, guides and much more!

Before you begin installation, read all instructions thoroughly.

Proper tools will improve the quality of installation and reduce the time required.

Periodic inspection of your product should be performed to ensure all hardware and / or components remain secure.

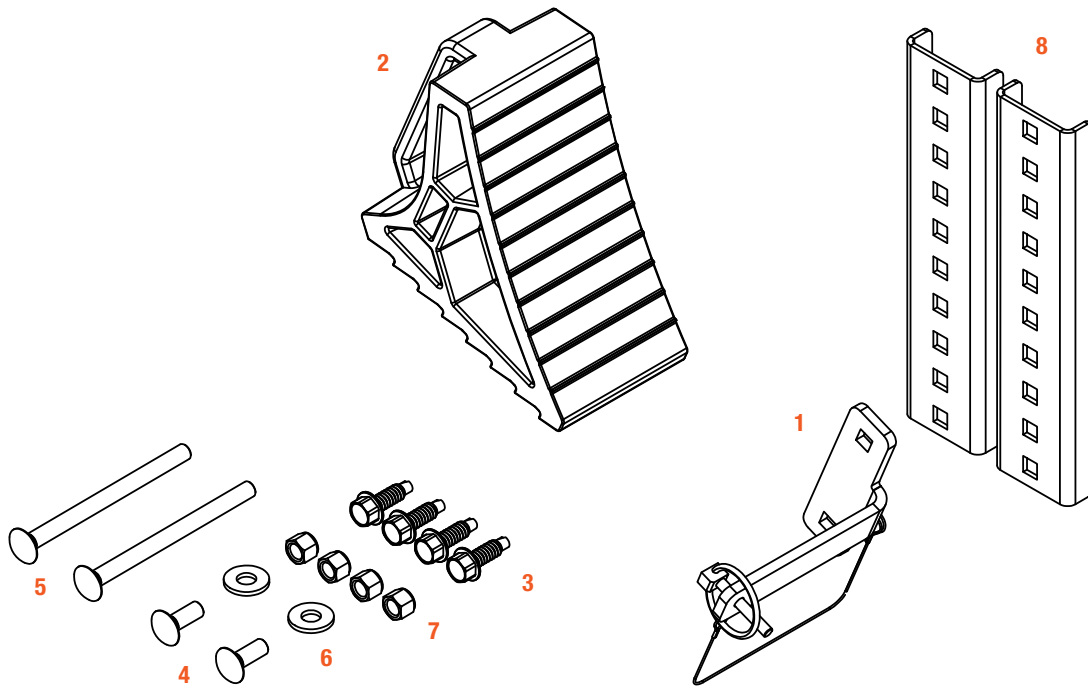
Product Registration and Warranty

CURT stands behind our products with industry-leading warranties. To get copies of the product warranties, register your purchase or provide feedback, visit: warranty.curtgroup.com/surveys

ASSEMBLY

Parts List

Item	Qty	Description
1	1	Mounting bracket
2	1	Wheel chock
3	4	Self-tapping screw, 3/8"-16 x 1"
4	2	Carriage bolt, 3/8"-16 x 1"
5	2	Carriage bolt, 3/8"-16 x 5"
6	2	Flat washer, 3/8"
7	4	Nylock nut, 3/8"-16
8	2	Clamp bracket



DRILL INSTALLATION

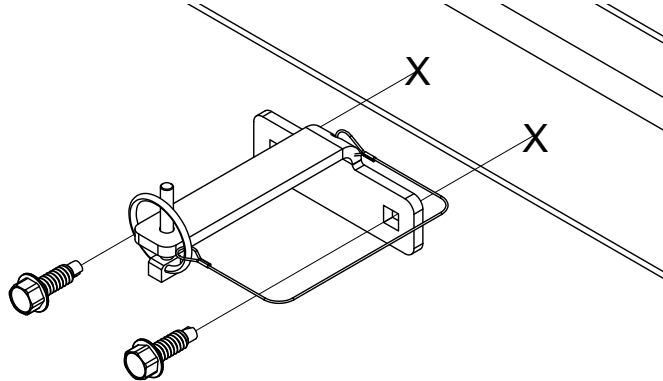
NOTICE

Before drilling, always consult your trailer manufacturer to ensure your desired location is safe and will not affect the trailer capacity.

Always check for wiring, plumbing, brake lines or any other obstructions inside and outside the mounting location prior to drilling holes. Some obstructions may be hidden inside the frame.

Step 1

Choose the desired location and orientation of the mounting bracket (#1) on the trailer.

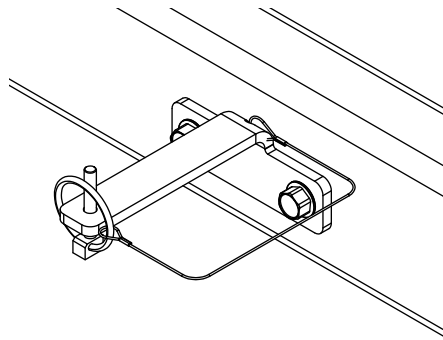


Step 2

Using the mounting bracket (#1) as a template, mark and drill 11/32" pilot holes in the desired location

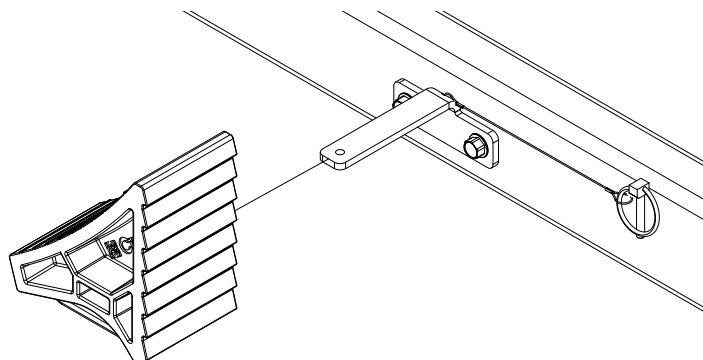
Step 3

Secure the mounting bracket (#1) with the provided 3/8" self-tapping screws (#3) and torque to 10 ft-lbs.



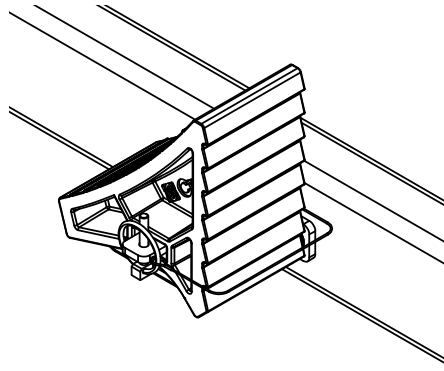
Step 4

With the mounting bracket installed, remove the lynch pin to allow your wheel chock to be installed on each support arm.



Step 5

Complete your installation by re-installing the lynch pins, securing the chocks on the support arms.



CLAMP-ON INSTALLATION

NOTICE

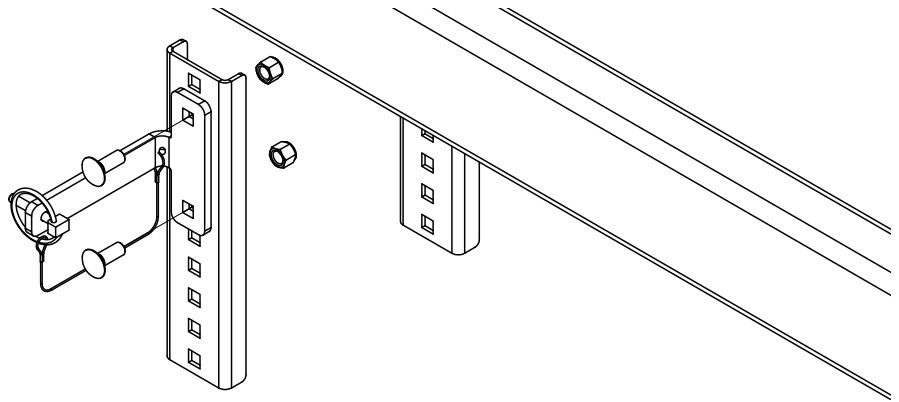
Always check for wiring, plumbing, brake lines or any other obstructions inside and outside the mounting location prior to clamping around the frame.

Step 1

Choose the desired location and orientation of the wheel chocks (#2) with adequate clearance to install the clamp brackets in front and behind the frame.

Step 2

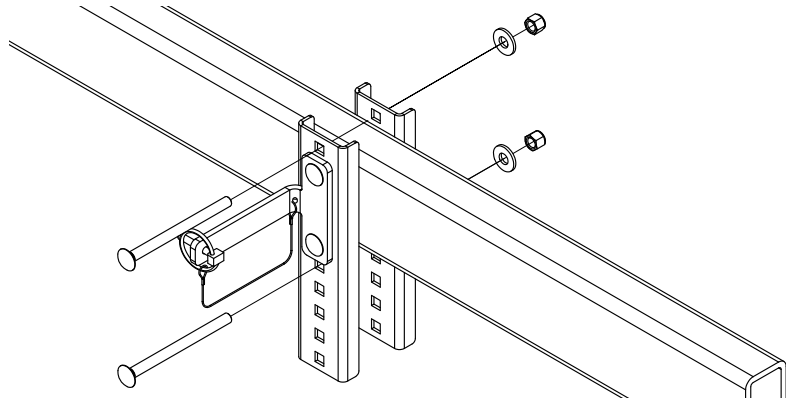
Loosely secure the mounting bracket (#1) to the outside clamp bracket with the two short carriage bolts (#4) and two nylock nuts (#7). Rotate the mounting bracket to the desired orientation and torque the nylock nuts to 10 ft-lbs.



Step 3

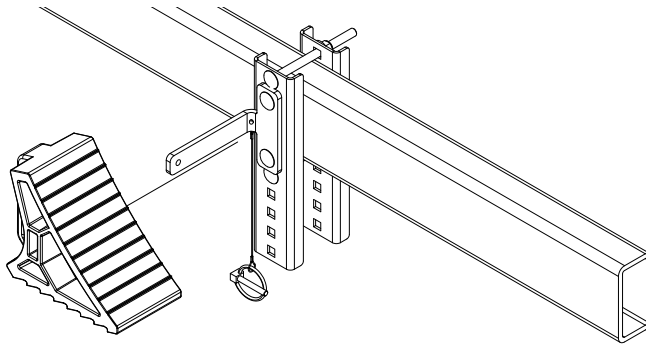
Position the assembly from step 2 in your desired location and secure by installing the two long carriage bolts (#5) above and below the frame through the second clamp bracket.

Complete the assembly by securing with two flat washers (#6) and nylock nuts (#7) torqued to 10 ft-lbs.



Step 4

With the mounting bracket installed, remove the lynch pin to allow your wheel chock to be installed on each support arm.



Step 5

Complete your installation by re-installing the lynch pins, securing the chocks on the support arms.

